

30A Defrost Timer

Description:

Defrosts will be initiated based on the time on switch settings, The defrost duration determines the termination time. The defrosts can be terminated by remote temperature, pressure switch, even though the defrost programmed termination time has not been reached.



Input:

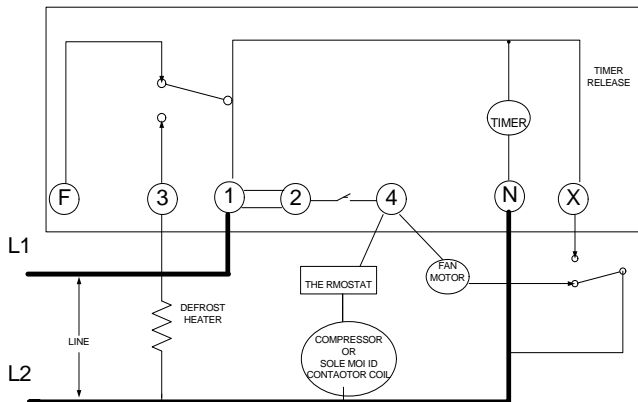
1. Voltage: 120 - 230VAC 50/60 Hz
2. Power Consumption: <1VA

Output:

1. Electrical Ratings:

[1] & [3] contacts	[2]&[4] Contacts	[1]&[F] Contacts
30A Resistive	30A Resistive	30A Resistive
1HP @ 120VAC	1HP @ 120VAC	1HP @ 120VAC
2HP @ 240VAC	2HP @ 240VAC	2HP @ 240VAC
2. Life Operations: Mechanical: 1×10^7 ; Electrical: 1×10^5

Typical Connection:



GROUNDING: This enclosure is of plastic construction and does not require a ground connection and does not require bonding in pool applications.

This enclosure does not provide grounding between conduits. When using non-metallic conduit or cable, connect the ground wires of all cables together with a wire nut. When metallic conduit is used, use grounding type bushings and a jumper wire between each conduit.

CAUTION: Do not check circuits by sparking wires to terminals .
Damage to the defrost timer may result.

Time Settings by DP Switch:

1. TIME (defrost ON time): To slide switch (white) to right, each switch corresponds each additional time: +15, +30, +45, +60 Minutes.

LED flashing 5 second on and 2.5 second off

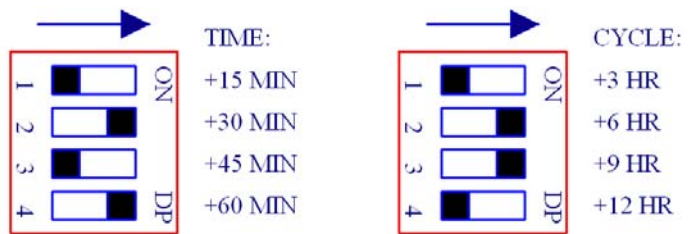
2. CYCLE (Defrost OFF Interval) : To slide switch (white) to right, each switch corresponds each additional delay time: +3, +6, +9, +12 hours.

LED flashing 1 second on and 1 second off.



ON time: 30 minutes

OFF time: 6 hours



ON time: 90 minutes

OFF time: 15 hours

Note:

For testing, Use a tool pressing ON button will start ON time immediately. CAUTION RISK OF ELECTRIC SHOCK..

Mechanical:

1. Mounting: Screw clamp terminals for up to AWG #8 wires.

Environmental:

1. Operating temperature: -40°F to +130°F
2. Storage temperature: -40°C to +85°C
3. Humidity: 95% relative, non-condensing
4. Weight: 15oz

Approval:

1. UL Listed 2. CE Approval 3. RoHS

Order information:

Product	Description	RoHS
MT-110212	NEMA 3R Outdoor Enclosure	Yes
MT-110202	PCB with stand off	Yes

MaxTronic Technologies LLC

www.maxtronictech.com (704)707-4501 E-mail: sales@maxtronictech.com